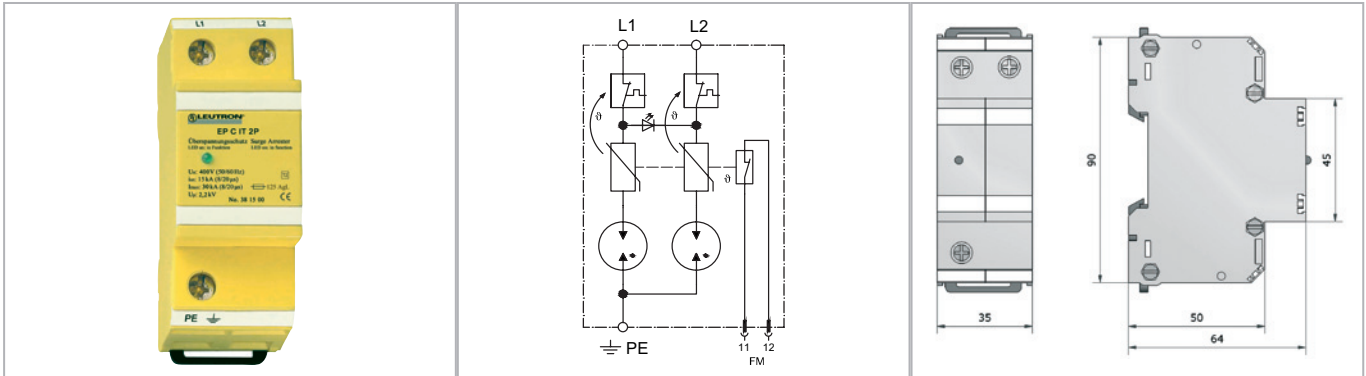


Datasheet

Surge protection for power supply systems

SPD type 2 (class II) for AC power supplies / EnerPro C



Surge Protective Device type 2, class II

• Optional remote signalling contact (FM)

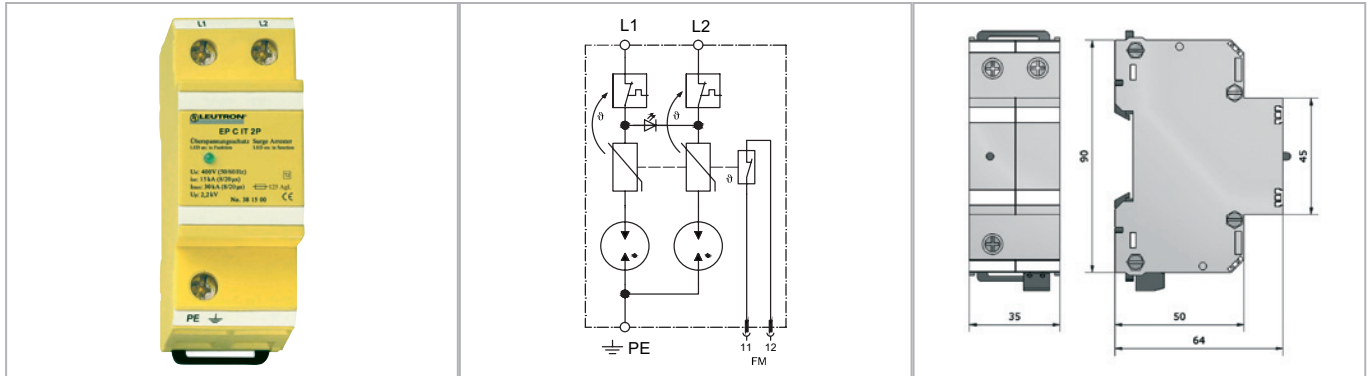
Technical Data		EP C IT 2P
IEC category/EN type		Type 2 / class II
Nominal voltage	UN	230 V
Max. continuous operating voltage AC (50/60Hz)	Uc	440 V~
Protection level at 5 kA	Up	≤ 1.5 kV
Protection level at In (8/20)	Up	≤ 2.2 kV
Response time	tA	< 25 ns
Nominal impulse discharge current (10 x 8/20µs)	In	15 kA
Max. impulse discharge current (8/20µs)	Imax	30 kA
Max. allowed fuse or back-up fuse	IL	125 A gL/gG
Operating temperature range	TU	-40 - +80 °C
Max. conductor cross section		35mm ² stranded/25mm ² flexible
Recommended conductor cross section		25 mm ²
Max. connection torque for terminals		4,0 Nm
Enclosure material / colour		polycarbonate (halogen-free) UL 94-V0 / yellow
Degree of protection (IEC EN 60529)		IP 20
Mounting on		35 mm DIN rail (DIN EN 50 022)

Order Data	
Product	EP C IT 2P
Article-No.	38 15 00

Datasheet

Surge protection for power supply systems

SPD type 2 (class II) for AC power supplies / EnerPro C



Surge Protective Device type 2, class II

- with remote signalling contact (FM)

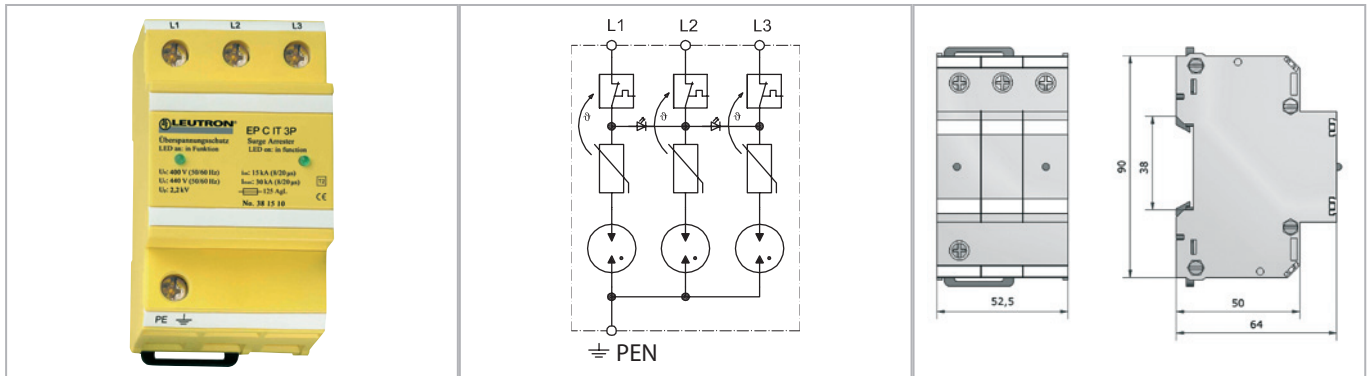
Technical Data		EP C IT 2P/FM
IEC category/EN type		Type 2 / class II
Nominal voltage	UN	230 V
Max. continuous operating voltage AC (50/60Hz)	Uc	440 V~
Protection level at 5 kA	Up	≤ 1.5 kV
Protection level at In (8/20)	Up	≤ 2.2 kV
Response time	tA	< 25 ns
Nominal impulse discharge current (10 x 8/20µs)	In	15 kA
Max. impulse discharge current (8/20µs)	Imax	30 kA
Max. allowed fuse or back-up fuse	IL	125 A gL/gG
Operating temperature range	TU	-40 - +80 °C
Max. conductor cross section		35mm ² stranded/25mm ² flexible
Recommended conductor cross section		25 mm ²
Max. connection torque for terminals		4,0 Nm
Enclosure material / colour		polycarbonate (halogen-free) UL 94-V0 / yellow
Degree of protection (IEC EN 60529)		IP 20
Mounting on		35 mm DIN rail (DIN EN 50 022)
Switching capacity		250 V/2 A
Max. cross section of the remote signalling line		1.5 mm ²

Order Data	
Product	EP C IT 2P/FM
Article-No.	38 15 01

Datasheet

Surge protection for power supply systems

SPD type 2 (class II) for AC power supplies / EnerPro C



Three pole SPD type 2 (class II) without N for IT systems.

- Monitoring of conductor and arrester via LED
- Leakage current-free

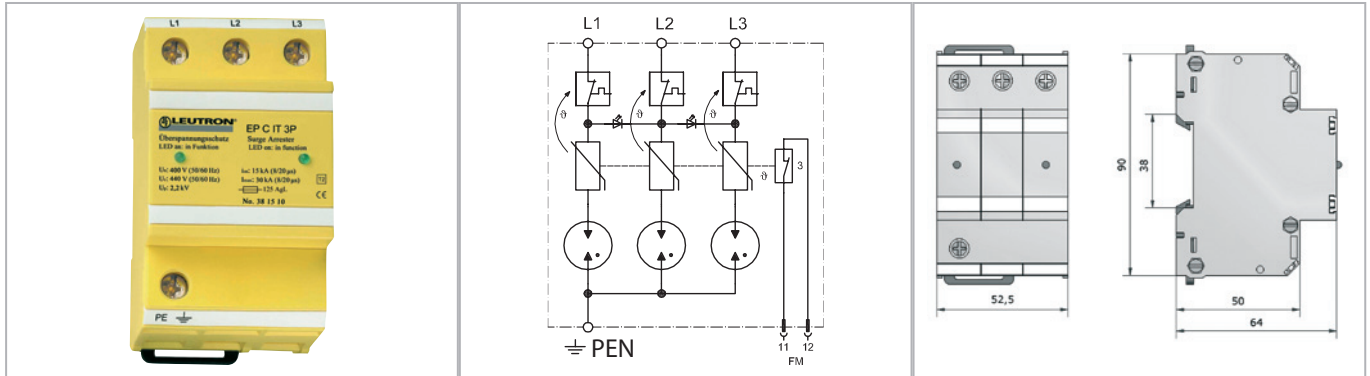
Technical Data	EP C IT 3P	
Nominal alternating voltage (50/60Hz)	UN	230 V~
Max. continuous operating voltage AC (50/60Hz)	Uc	440 V~
Protection level at 5 kA	Up	≤ 1.5 kV
Protection level at In (8/20)	Up	≤ 2.2 kV
Response time	tA	< 25 ns
Nominal discharge current (8/20)	In	15 kA
Max. impulse discharge current (8/20µs)	Imax	30 kA
Max. allowed fuse or back-up fuse	IL	125 A gL/gG
Operating temperature range	TU	-40 - +80 °C
Max. conductor cross section		stranded 35/fine stranded 25 mm ²
Recommended conductor cross section		16 mm ²
Max. connection torque for terminals		4,0 Nm
Enclosure material / colour		polycarbonate (halogen-free) UL 94-V0 / yellow
Degree of protection (IEC EN 60529)		IP 20
Mounting on		35 mm DIN rail (DIN EN 50 022)

Order Data	
Product	EP C IT 3P
Article-No.	38 15 10

Datasheet

Surge protection for power supply systems

SPD type 2 (class II) for AC power supplies / EnerPro C



Three pole SPD type 2 (class II) without N for IT systems.

- Monitoring of conductor and arrester via LED
- Leakage current-free
- with remote signalling contact (FM)

Technical Data	EP C IT 3P/FM	
Nominal alternating voltage (50/60Hz)	UN	230 V~
Max. continuous operating voltage AC (50/60Hz)	Uc	440 V~
Protection level at 5 kA	Up	≤ 1.5 kV
Protection level at In (8/20)	Up	≤ 2.2 kV
Response time	tA	< 25 ns
Nominal discharge current (8/20)	In	15 kA
Max. impulse discharge current (8/20μs)	Imax	30 kA
Max. allowed fuse or back-up fuse	IL	125 A gL/gG
Operating temperature range	TU	-40 - +80 °C
Max. conductor cross section		stranded 35/fine stranded 25 mm ²
Recommended conductor cross section		16 mm ²
Max. connection torque for terminals		4,0 Nm
Enclosure material / colour		polycarbonate (halogen-free) UL 94-V0 / yellow
Degree of protection (IEC EN 60529)		IP 20
Mounting on		35 mm DIN rail (DIN EN 50 022)
Switching capacity		250 V/2 A
FM contact / contact type		break contact

Order Data	
Product	EP C IT 3P/FM
Article-No.	38 15 11